

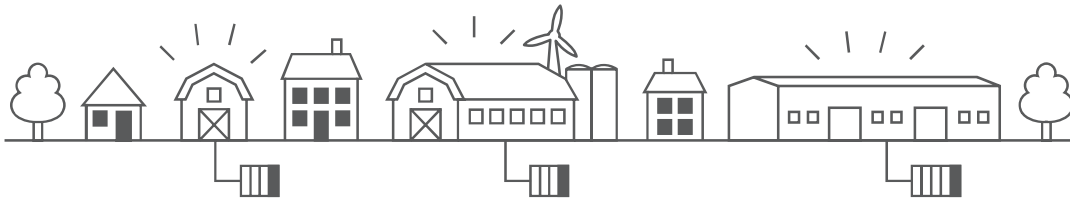


BATTERY-BOX COMMERCIAL

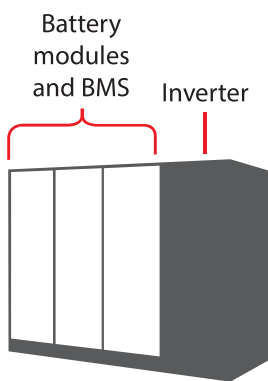


The battery for commercial and industrial applications

- Renewable Self Consumption
- Time-of-Use
- Peak Shaving
- Backup Power
- EV Charging Optimization
- Frequency Regulation



Battery-Box Commercial

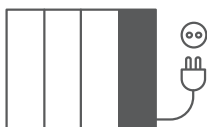


- 3 Size Options: 61 kWh, 131 kWh and 233 kWh
- Compact, Easy to Install

The Battery-Box Commercial is the storage system that provides Commercial and Industrial (C&I) consumers with all performance they're looking for while also being easy to use and safe. For the first time it brings to the C&I field the strengths of the Battery-Box: plug and play design, safe battery chemistry, and top technical performance.

The Battery-Box Commercial is designed to be the core of your energy system. Not only pairing it with renewable resources to maximize self-consumption, but also to optimize EV charging, manage consumption peaks, or even provide grid services such as frequency regulation.

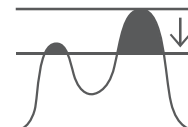
Flexible. Efficient. Simple



Easy plug-and-play installation

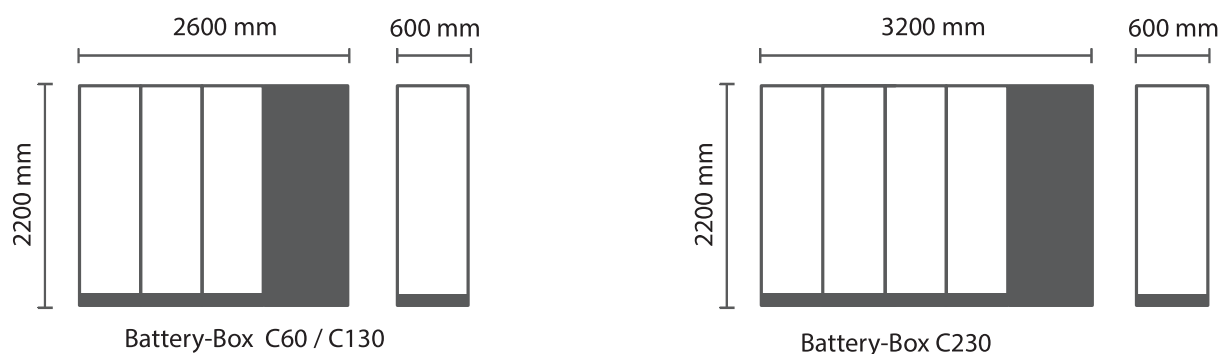


10 years capacity warranty



Intelligent energy management

Dimensions



Technical parameters



| | Battery-Box C60 | Battery-Box C130 | Battery-Box C230 |
|------------------------------|--|----------------------|----------------------|
| Usable Energy | 61 kWh | 131 kWh | 233 kWh |
| Max Output Current | 75A | 150A | 250A |
| Nominal Voltage | 819.2V | 729.6V | 777.6V |
| Operating Voltage Range | 716.8 ~921.6V | 638.4 ~820.8V | 680.4~874.8V |
| Operating temperature | -10 °C to +50°C | | |
| Communication | RS485 / CAN | | |
| Dimensions (W/H/D) | 2200 x 2600 x 600 mm | 2200 x 2600 x 600 mm | 2200 x 3200 x 600 mm |
| Cells | Lithium Iron Phosphate | | |
| Enclosure Protection Rating | IP20 | | |
| Battery Module Certification | UN38.3 | | |
| System Certification | CE, IEC62619 | | |
| Compatible Inverters | REFUstore 88K | | |
| Application | Peak Shaving/ Self Consumption/ Standard EV Charging/ Intelligent EV Charging (Optional)/ Frequency Regulation (Optional) / Backup | | |
| Warranty | 5-Year Product Warranty, 10-Year Performance Warranty | | |

Your energy storage expert: